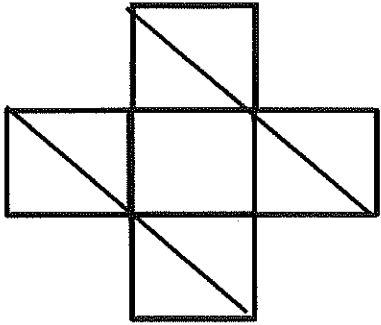


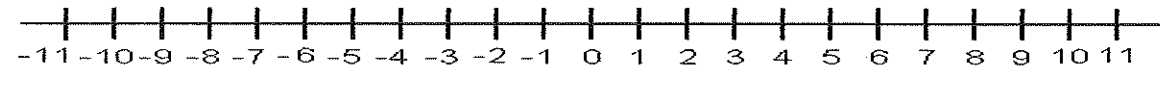
Level 4 Review - Summer packet

1.	<p>13 days 12 hours + 9 days 17 hours</p> <div style="border: 1px solid black; height: 20px; width: 100%; margin-top: 20px;"></div>	<p>13 gallons 15 pints – 5 gallons 2 pints</p> <div style="border: 1px solid black; height: 20px; width: 100%; margin-top: 20px;"></div>																						
2.	<p>Length = 7 cm Width = 5 cm</p> <div style="border: 1px solid black; width: 50px; height: 50px; margin: 10px auto;"></div> <p>Perimeter = _____</p> <p>Area = _____</p>	<p>Length = 5.16 cm Width = 4 cm</p> <div style="border: 1px solid black; width: 50px; height: 50px; margin: 10px auto;"></div> <p>Perimeter = _____</p> <p>Area = _____</p>																						
3.	<table border="1" style="width: 100%; border-collapse: collapse;"> <tr><td style="padding: 5px;">300 + 1100</td><td style="width: 50px;"></td></tr> <tr><td style="padding: 5px;">100 + 6023</td><td></td></tr> <tr><td style="padding: 5px;">9000 – 212</td><td></td></tr> <tr><td style="padding: 5px;">6000 – 550</td><td></td></tr> <tr><td style="padding: 5px;">4000 – 1150</td><td></td></tr> </table>	300 + 1100		100 + 6023		9000 – 212		6000 – 550		4000 – 1150		<table border="1" style="width: 100%; border-collapse: collapse;"> <tr><td style="padding: 5px;">132.98 ÷ 100</td><td style="width: 50px;"></td></tr> <tr><td style="padding: 5px;">132.98 * 100</td><td></td></tr> <tr><td style="padding: 5px;">132.98 ÷ 10</td><td></td></tr> <tr><td style="padding: 5px;">132.98 * 10</td><td></td></tr> <tr><td style="padding: 5px;">32.98 ÷ 100</td><td></td></tr> <tr><td style="padding: 5px;">32.98 * 100</td><td></td></tr> </table>	132.98 ÷ 100		132.98 * 100		132.98 ÷ 10		132.98 * 10		32.98 ÷ 100		32.98 * 100	
300 + 1100																								
100 + 6023																								
9000 – 212																								
6000 – 550																								
4000 – 1150																								
132.98 ÷ 100																								
132.98 * 100																								
132.98 ÷ 10																								
132.98 * 10																								
32.98 ÷ 100																								
32.98 * 100																								

4 Review / Pg ①

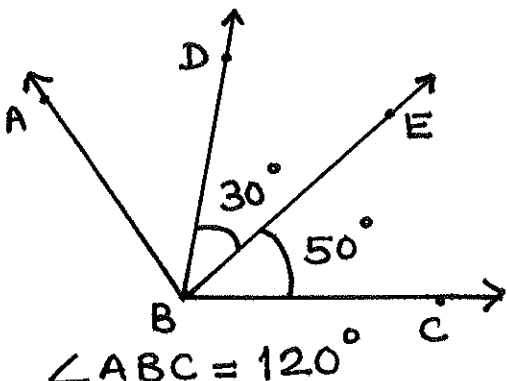
4	Solve (Add/ subtract / multiply)		
	(a)	(b)	(c)
	$43.99 + 13.8$	$65.02 * 9$	$87.05 * 8$
5	Compare (> < =)		
	a)	0.03 <input type="text"/>	3.0
	b)	254.0 <input type="text"/>	0.255
	c)	610.1 <input type="text"/>	6.101
	d)	3.167 <input type="text"/>	316.7
	<p>131 ladies are going for shopping. A taxi can carry 5 ladies. How many taxis do they need?</p> <input type="text"/>		

6	<p>Sara has \$100. She spends \$57.80 on groceries and \$6.90 on taxes. How much money is left with her after she is done with her groceries?</p>	<p>On Sunday, $\frac{1}{5}$ of a mall's shops were closed. 12 shops showed open at mall. How many shops does the mall have?</p>
7	<p>Paul bought 3 cheap and 2 expensive mobile phones. The cheap mobile phone cost \$ 11.00 each and an expensive mobile phone was three times the cost of the cheap one. What was his total cost?</p>	<p>Write roman numerals for</p> <p>213</p> <p>89</p> <p>39</p> <p>49</p>
8	<p>Circle the smallest fraction</p> <p>a) $\frac{3}{5}$ $\frac{7}{5}$ $\frac{1}{5}$</p> <p>b) $\frac{6}{5}$ $\frac{6}{2}$ $\frac{6}{10}$</p>	<p>How many triangles are there in the figure</p> 

9	Write in expanded form as fractions			
a)	34.098			
b)	6.023			
10	Solve using a number line			
a)	b)	c)	d)	
$-2 - 3 =$	$-5 + 7 =$	$-8 + 7 =$	$-7 + 2 =$	
				
11				
a)	b)	c)		
$\begin{array}{r} 346 \\ * 0.03 \\ \hline \end{array}$	$\begin{array}{r} 245 \\ * 0.04 \\ \hline \end{array}$	$\begin{array}{r} 108 \\ * 0.05 \\ \hline \end{array}$		
12	<u>Write the corresponding numerals</u>			
a)	nine million, five hundred five thousand, nine hundred thirty			
b)	seven hundred nine thousand, four hundred two.			

13	<u>Arrange the decimals in ascending order</u>							
a)	0.12	2.9	0.60	17	0.04	3.078		
b)	5.06	6.05	56	0.056	65.0	5.6		
14	<u>Complete the sequence</u>							
a)	12	21	34	43	61	16	98	
b)	106	116	126	136	146			
15	<u>Express the following as Fractions</u>				(c)	(d)		
	(a) 13.89	(b) 7.77	(c) 7.07	(d) 7.007				
16	<u>Express the following as decimals</u>				(c)	(d)		
	(a) $\frac{3875}{10}$	(b) $\frac{3875}{100}$	(c) $\frac{3875}{10}$	(d) $\frac{387.5}{100}$				

17	<p>Divide up to 2 decimal places</p> $4 \overline{) 40.92}$ <p>Q= <input type="text"/></p>	<p>Divide up to 2 decimal places</p> $3 \overline{) 22.74}$ <p>Q= <input type="text"/></p>
18	<p>An empty 3 liter can is filled with 1 liters 250 milliliters of cold water and 700 milliliters of warm water. How much space is left in the can?</p> <p><u>Hint</u> : 1 liter = 1000 ml</p> <p><input type="text"/></p>	<p>What is the sum of 45,980 and 27,101?</p> <p><input type="text"/></p>

19	 <p>$\angle ABC = 120^\circ$</p> <p>$\angle ABD =$ <input type="text"/></p>	<p>A television program had an advertisement for 4 minutes 33 seconds. How long was the advertisement for in seconds?</p> <p><input type="text"/></p>
20	<p>Of the following numbers in which number does the digit 3 have the smallest place value</p> <ul style="list-style-type: none"> • 3547 • 95732 • 103795 • 5473 	<p>If 50,005 is divided by 10, what will be the quotient?</p> <p><input type="text"/></p>
21	<p>The sum of the ages of Rohan, Ravi and Raj Kumar is 35 years. If Rohan is 13 years old and Raj Kumar is 4 years younger than Rohan, how old is Ravi?</p> <p><input type="text"/></p>	<p>How many quarters can be exchanged for a total amount of \$ 3.75?</p> <p><input type="text"/></p>

22

Hint : one foot = _____ inches
(a)







one yard = _____ feet
(b)

7 feet 20 inches – 2 feet 2 inches

6 yards 13 feet – 2 yards 7 feet

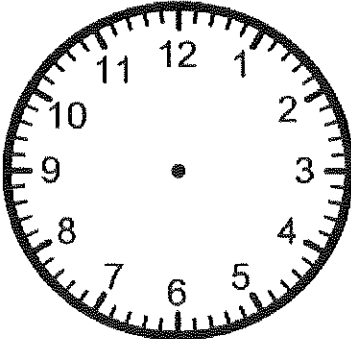
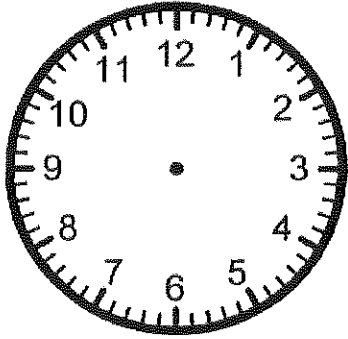
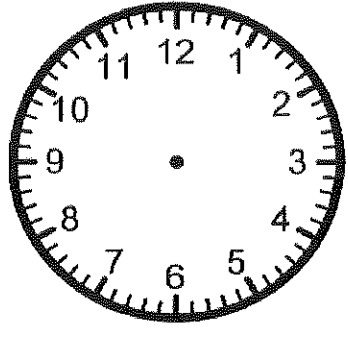
23

Name the following shapes

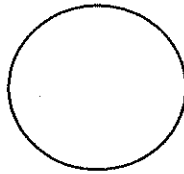
		
		

24

Mark the times on the clock

		
4 : 35 pm	Quarter to 7	half past 9

25 find the unknown



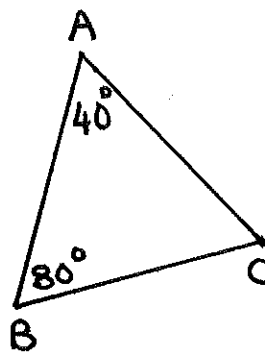
	Radius	Diameter
a)	5.6 cm	
b)		7.08 cm
c)	13.4 cm	

a) $\frac{8}{7} + \frac{2}{7} =$

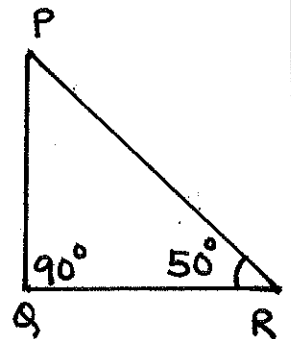
b) $\frac{7}{14} + \frac{2}{14} - \frac{3}{14} =$

c) $\frac{16}{15} + \frac{11}{15} - \frac{7}{15} =$

26 If 2024 was a leap year, which year will be the 4th leap year from 2024?



$\angle C =$



$\angle P =$

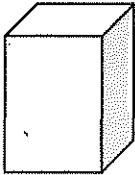
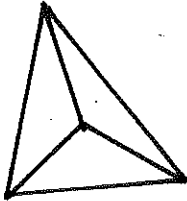
27 $4 + (3 \times 9) \div 3 - 0$

What is the sum of smallest and the largest number formed by the digits 0, 8, 5, 3 using all the digits only once

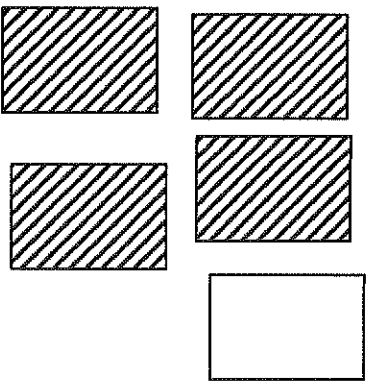
28	(a)	(b)	(c)
	$7x + 9y$ $+ 10x - 8y$ <input style="width: 100%; height: 20px;" type="text"/>	$17x + 40y$ $+ 3x - 18y$ <input style="width: 100%; height: 20px;" type="text"/>	$13a + 12b$ $+ 5a - 6b$ <input style="width: 100%; height: 20px;" type="text"/>

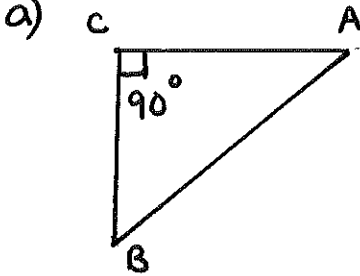
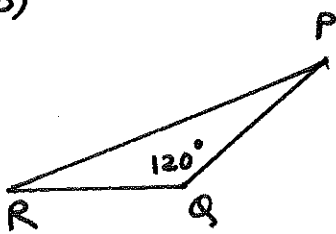
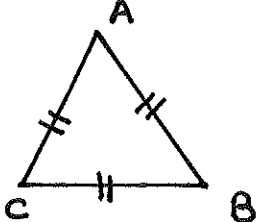
29	a)	A number is chosen at random from 20 and 40. What is the probability that it will be a multiple of 3?		A number is chosen at random from 0 to 20. What is the probability that it will be a multiple of 4?	
	b)	A number is chosen at random from 60 and 70. What is the probability that it is an even number?		A number is chosen at random from 1 to 10. What is the probability that it will be a factor of 20?	

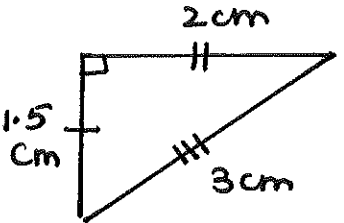
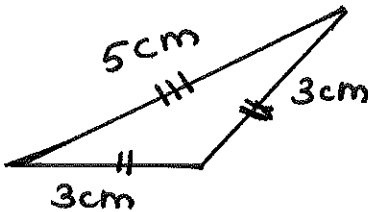
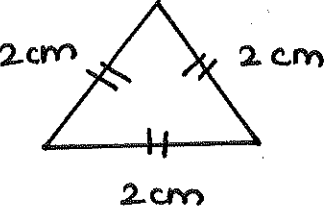
30	Write down all the factors of																								
60	100																								
<table border="1" style="width: 100%; height: 40px;"> <tr><td></td><td></td><td></td><td></td><td></td><td></td></tr> <tr><td></td><td></td><td></td><td></td><td></td><td></td></tr> </table>													<table border="1" style="width: 100%; height: 40px;"> <tr><td></td><td></td><td></td><td></td><td></td><td></td></tr> <tr><td></td><td></td><td></td><td></td><td></td><td></td></tr> </table>												

31	How many						
	<table border="1" style="width: 100%;"> <tr><td>Edges</td><td></td></tr> <tr><td>Vertices</td><td></td></tr> <tr><td>faces</td><td></td></tr> </table>	Edges		Vertices		faces	
Edges							
Vertices							
faces							
	<table border="1" style="width: 100%;"> <tr><td>Edges</td><td></td></tr> <tr><td>Vertices</td><td></td></tr> <tr><td>faces</td><td></td></tr> </table>	Edges		Vertices		faces	
Edges							
Vertices							
faces							

32	<p>How many</p> <table border="1" data-bbox="261 222 867 583"> <thead> <tr> <th data-bbox="261 222 565 327">Shape</th> <th data-bbox="565 222 867 327">Number of axis of symmetry</th> </tr> </thead> <tbody> <tr> <td data-bbox="261 327 565 411">Square</td> <td data-bbox="565 327 867 411"></td> </tr> <tr> <td data-bbox="261 411 565 495">Rhombus</td> <td data-bbox="565 411 867 495"></td> </tr> <tr> <td data-bbox="261 495 565 583">Oval</td> <td data-bbox="565 495 867 583"></td> </tr> </tbody> </table>	Shape	Number of axis of symmetry	Square		Rhombus		Oval		<p>Fill < > =</p> <table border="1" data-bbox="901 222 1510 583"> <tbody> <tr> <td data-bbox="901 222 1101 306">2.42</td> <td data-bbox="1101 222 1300 306"></td> <td data-bbox="1300 222 1510 306">2.48</td> </tr> <tr> <td data-bbox="901 306 1101 390">11.08</td> <td data-bbox="1101 306 1300 390"></td> <td data-bbox="1300 306 1510 390">1.008</td> </tr> <tr> <td data-bbox="901 390 1101 474">6</td> <td data-bbox="1101 390 1300 474"></td> <td data-bbox="1300 390 1510 474">4.90</td> </tr> <tr> <td data-bbox="901 474 1101 583">12.89</td> <td data-bbox="1101 474 1300 583"></td> <td data-bbox="1300 474 1510 583">15.9</td> </tr> </tbody> </table>	2.42		2.48	11.08		1.008	6		4.90	12.89		15.9
Shape	Number of axis of symmetry																					
Square																						
Rhombus																						
Oval																						
2.42		2.48																				
11.08		1.008																				
6		4.90																				
12.89		15.9																				
33	<p>Write down all the prime numbers between 10 and 50</p> <table border="1" data-bbox="261 716 867 1115"> <tbody> <tr><td></td><td></td><td></td></tr> <tr><td></td><td></td><td></td></tr> <tr><td></td><td></td><td></td></tr> <tr><td></td><td></td><td></td></tr> <tr><td></td><td></td><td></td></tr> </tbody> </table>																<p>What is the largest counting number less than 879 divisible by 5?</p> <div data-bbox="976 1024 1414 1108" style="border: 1px solid black; height: 40px; width: 270px; margin: 20px auto;"></div>					
34	<p>Write two equivalent fractions for</p> <table border="1" data-bbox="261 1199 829 1728"> <tbody> <tr> <td data-bbox="261 1199 435 1325">a) $\frac{3}{4}$</td> <td data-bbox="435 1199 630 1325"></td> <td data-bbox="630 1199 829 1325"></td> </tr> <tr> <td data-bbox="261 1325 435 1461">b) $\frac{1}{5}$</td> <td data-bbox="435 1325 630 1461"></td> <td data-bbox="630 1325 829 1461"></td> </tr> <tr> <td data-bbox="261 1461 435 1608">c) $\frac{4}{7}$</td> <td data-bbox="435 1461 630 1608"></td> <td data-bbox="630 1461 829 1608"></td> </tr> <tr> <td data-bbox="261 1608 435 1728">d) $\frac{3}{11}$</td> <td data-bbox="435 1608 630 1728"></td> <td data-bbox="630 1608 829 1728"></td> </tr> </tbody> </table>	a) $\frac{3}{4}$			b) $\frac{1}{5}$			c) $\frac{4}{7}$			d) $\frac{3}{11}$			<p>Convert into grams(g)</p> <p>1000 milligrams = _____ grams</p> <p>4000 milligrams = _____ grams</p> <p>7000 milligrams = _____ grams</p> <p>3500 milligrams = _____ grams</p> <p>6500 milligrams = _____ grams</p>								
a) $\frac{3}{4}$																						
b) $\frac{1}{5}$																						
c) $\frac{4}{7}$																						
d) $\frac{3}{11}$																						

35	Represent the following fractions as pictures		
	(a)	(b)	(c)
	$4\frac{1}{4}$	$3\frac{1}{2}$	$3\frac{2}{5}$
			

36	Classify as acute, Obtuse or right angled triangles		
	a)	b)	c)
			

37	Classify as scalene, obtuse or isosceles triangles		
			

38 Find Mode, Range and Median

a)	95, 85, 95, 95, 85, 95, 86, 86, 95	Range = _____ Median = _____ Mode = _____
b)	20, 21, 18, 16, 19, 20, 17, 20, 20	Range = _____ Median = _____ Mode = _____

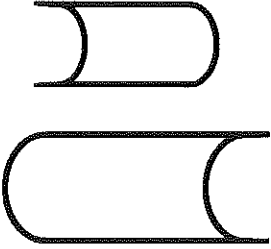
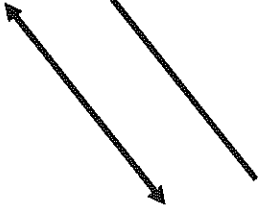
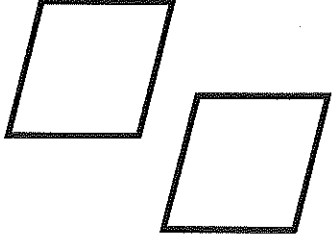
39 Draw stem and leaf graph for

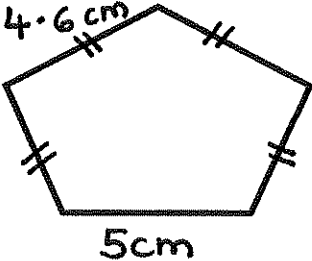
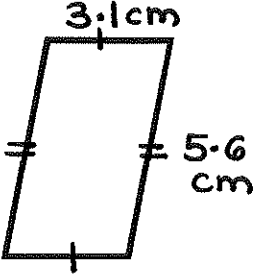
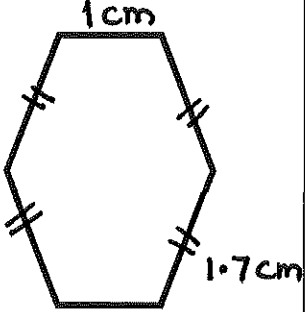
83	83	98	78	77	99	83	63	80
92	90	80	80	96	85	86	70	87

Stem	Leaf

40 Express as a decimal

(a)	(b)	(c)
430%	5 %	14 %
$= \frac{430}{100}$ $= \boxed{4.30}$	<input style="width: 100px; height: 20px;" type="text"/>	<input style="width: 100px; height: 20px;" type="text"/>

41	State if congruent / similar		
	(a)	(b)	(c)
			
	Congruent - Yes / No	Congruent - Yes / No	Congruent - Yes / No
	Similar - Yes / No	Similar - Yes / No	Similar - Yes / No

42	Find the perimeter		
	(a)	(b)	(c)
			

43	Order of operations	
	Use PEMDAS	
	$35 + (45 \div 9) - (6 \times 2)$	$(9 - 2) + 3 \times 6 - 8 \div 2$

44	<p>I have 3 notes of \$20 each, 6 notes of \$ 5 each and 5 notes of \$ 1 each. How many dollars do I have in all?</p> <p style="text-align: center;"><input type="text"/></p>	<p>Round off to the hundred's place</p> <p>2,345,428 \approx <input type="text"/></p> <p>3,980,419 \approx <input type="text"/></p> <p>145,083 \approx <input type="text"/></p>
45	<p>The wool from one sheep can be used to make $2\frac{1}{2}$ coats. How many coats can be made from the wool from 6 sheep?</p> <p style="text-align: center;"><input type="text"/></p>	<p>What time is 5 hour 45 minutes after 3:30 pm?</p> <p style="text-align: center;"><input type="text"/></p>
46	<p>What do I get if I multiply 7 by 12 and then divide the result by 2</p> <p style="text-align: center;"><input type="text"/></p>	<p>If there are one farmer, 8 chicken and 5 cows on a field. How many feet are there in all on the field?</p> <p style="text-align: center;"><input type="text"/></p>

<p>47</p> <p style="writing-mode: vertical-rl; transform: rotate(180deg);">Challenge question</p>	$(3 \times 333) + (3 \times 333) =$ $3 \times (?)$ <div style="border: 1px solid black; width: 250px; height: 30px; margin: 20px auto;"></div>	$2 + 3 + 4 + 5 + 6 =$ $2 \times 3 \times 4 \times 5 \times 6 \div \boxed{?}$ <div style="border: 1px solid black; width: 250px; height: 30px; margin: 20px auto;"></div>
<p>48</p>	<p>What is the sum of the digits in the number: Thirty thousand five hundred two</p> <div style="border: 1px solid black; width: 250px; height: 30px; margin: 20px auto;"></div>	<p>What number is 20 less than the sum of 950 and 880?</p> <div style="border: 1px solid black; width: 250px; height: 30px; margin: 20px auto;"></div>
<p>49</p>	<p>12 tens + 16 ones = 1 hundred + how many ones?</p> <div style="border: 1px solid black; width: 250px; height: 30px; margin: 20px auto;"></div>	$101 \times 10 \times 1 \times 0 \times 1 \times 10 \times 101 =$ $1010 \times \boxed{?}$ <div style="border: 1px solid black; width: 250px; height: 30px; margin: 20px auto;"></div>
<p>50</p>	<p>Alltogether 7 pentagons have how many sides?</p> <div style="border: 1px solid black; width: 250px; height: 30px; margin: 20px auto;"></div>	<p>Alltogether 3 rectangles have how many diagonals?</p> <div style="border: 1px solid black; width: 250px; height: 30px; margin: 20px auto;"></div>

51

a)	$789.563 \div 100$	
b)	$789.563 * 100$	
c)	$789.563 \div 10$	
d)	$789.563 * 10$	
e)	$789.563 \div 1000$	
f)	$789.563 * 1000$	

52

Draw stem and leaf graph for

43	52	61	40	52	61	66	53	50
40	45	52	66	67	53	52	40	43

Stem	Leaf

53

Find Mode, Range and Median

35	43	43	52	35	62
61	30	35	42	50	

Range = _____

Median = _____

Mode = _____

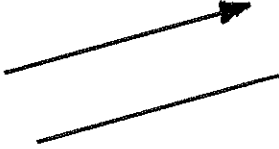
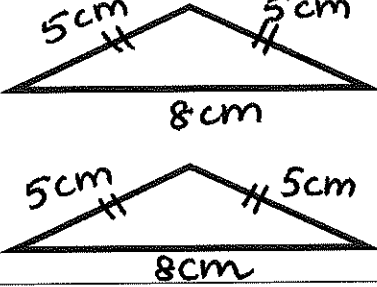
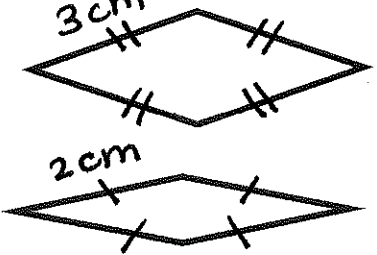
Pg (17)

54	Express as a decimal		
	389%	73 %	9%
	5000%	35%	143%

55	Divide up to <u>2 decimal places</u>	Divide up to <u>2 decimal places</u>
	$5 \overline{) 21.3}$ <div style="border: 1px solid black; padding: 5px; width: fit-content;">Q=</div>	$9 \overline{) 53.01}$ <div style="border: 1px solid black; padding: 5px; width: fit-content;">Q=</div>

56	Find the sum of the follwing nubmers		
	35.12 + 4.52	5.2 - 3.72	5.45 + 13.9

57	Round off to the hundred's place	Circle the largest fraction																
	<table border="1" style="width: 100%; border-collapse: collapse;"> <thead> <tr> <th style="text-align: center;">Given number</th> <th style="text-align: center;">Rounded off</th> </tr> </thead> <tbody> <tr> <td style="text-align: center;">39,198</td> <td></td> </tr> <tr> <td style="text-align: center;">40,899</td> <td></td> </tr> <tr> <td style="text-align: center;">6,407</td> <td></td> </tr> <tr> <td style="text-align: center;">5,550</td> <td></td> </tr> </tbody> </table>	Given number	Rounded off	39,198		40,899		6,407		5,550		<table style="width: 100%; text-align: center;"> <tr> <td style="border: 1px solid black; padding: 10px;">$\frac{13}{9}$</td> <td style="border: 1px solid black; padding: 10px;">$\frac{7}{9}$</td> <td style="border: 1px solid black; padding: 10px;">$\frac{18}{9}$</td> </tr> <tr> <td style="border: 1px solid black; padding: 10px;">$\frac{4}{11}$</td> <td style="border: 1px solid black; padding: 10px;">$\frac{4}{15}$</td> <td style="border: 1px solid black; padding: 10px;">$\frac{4}{3}$</td> </tr> </table>	$\frac{13}{9}$	$\frac{7}{9}$	$\frac{18}{9}$	$\frac{4}{11}$	$\frac{4}{15}$	$\frac{4}{3}$
Given number	Rounded off																	
39,198																		
40,899																		
6,407																		
5,550																		
$\frac{13}{9}$	$\frac{7}{9}$	$\frac{18}{9}$																
$\frac{4}{11}$	$\frac{4}{15}$	$\frac{4}{3}$																

58	State if congruent / similar		
			
	Congruent - Yes / No	Congruent - Yes / No	Congruent - Yes / No
	Similar - Yes / No	Similar - Yes / No	Similar - Yes / No

59	Express the following as Fractions			
	17.3	2.089	2.98	14.7

60	Express the following as decimals			
	$\frac{145}{10}$	$\frac{3}{100}$	$\frac{95}{10}$	$\frac{3094}{100}$

61 Write in expanded form as fractions

a) 6.108

b) 304.57

62 Write in expanded form as decimals

a) 6.108

b) 304.57

63

1 gallon = _____ pints 1 gallon = _____ cups

3 gallons 5 pints + 7 gallons 13 pints	7 gallons 30 cups - 5 gallons 7 cups

64 Solve using a number line

(a) $-4 - 3 =$	(b) $-11 + 6 =$	(c) $-2 - 3 - 1 =$	(d) $0 + 5 - 7 =$
-------------------	--------------------	-----------------------	----------------------

-11 -10 -9 -8 -7 -6 -5 -4 -3 -2 -1 0 1 2 3 4 5 6 7 8 9 10 11

65

a)

$$\begin{array}{r} 256 \\ * 0.03 \\ \hline \end{array}$$

b)

$$\begin{array}{r} 524 \\ * 0.04 \\ \hline \end{array}$$

c)

$$\begin{array}{r} 897 \\ * 0.2 \\ \hline \end{array}$$

d)

$$\begin{array}{r} 3154 \\ * 0.02 \\ \hline \end{array}$$

e)

$$\begin{array}{r} 1009 \\ * 0.03 \\ \hline \end{array}$$

f)

$$\begin{array}{r} 7095 \\ * 0.2 \\ \hline \end{array}$$

66

Find the difference of the following numbers

$$\underline{23.12 - 4.562}$$

$$\underline{5.017 - 2.572}$$

$$\underline{11.11 - 9.9}$$

67

(a)

$$\begin{array}{r} 4x + 6y \\ + 10x - y \\ \hline \end{array}$$

(b)

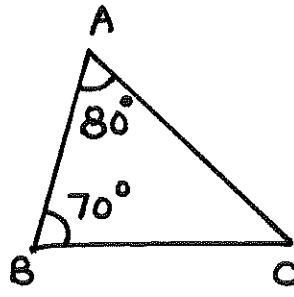
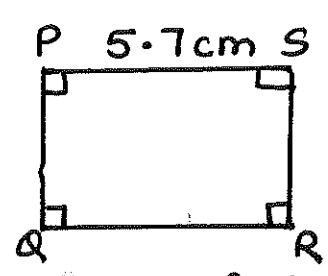
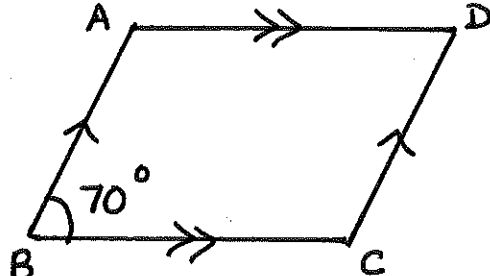
$$\begin{array}{r} 1x + 3y \\ + 9x - y \\ \hline \end{array}$$

(c)

$$\begin{array}{r} 2a + 13b \\ + 1a - 2b \\ \hline \end{array}$$

Hint $[y = 1y]$

Pg (21)

<p>(a)</p>  <p>$\angle C = \square^\circ$</p>	<p>(b)</p>  <p>$\square PQRS$ is Rectangle $\overline{QR} = \square \text{ cm}$</p>	<p>(c)</p>  <p>$\square ABCD$ is a Parallelogram $\angle A = \square^\circ$</p>
---	---	--

69 Write down all the factors of

<p>50</p> <table border="1" style="width: 100%; height: 40px; border-collapse: collapse;"> <tr><td style="width: 16.6%;"></td><td style="width: 16.6%;"></td><td style="width: 16.6%;"></td><td style="width: 16.6%;"></td><td style="width: 16.6%;"></td><td style="width: 16.6%;"></td></tr> <tr><td></td><td></td><td></td><td></td><td></td><td></td></tr> </table>													<p>72</p> <table border="1" style="width: 100%; height: 40px; border-collapse: collapse;"> <tr><td style="width: 16.6%;"></td><td style="width: 16.6%;"></td><td style="width: 16.6%;"></td><td style="width: 16.6%;"></td><td style="width: 16.6%;"></td><td style="width: 16.6%;"></td></tr> <tr><td></td><td></td><td></td><td></td><td></td><td></td></tr> </table>												

70 Find Mode, Range and Median

<p>33, 45, 40, 23, 42, 32, 33</p>	<p>Range = _____</p> <p>Median = _____</p> <p>Mode = _____</p>
--	--

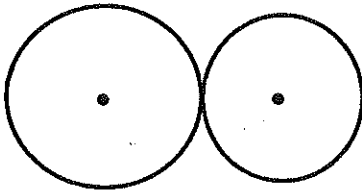
71 How many seconds

a)	9 minutes	
b)	5 minutes	
c)	10 minutes	

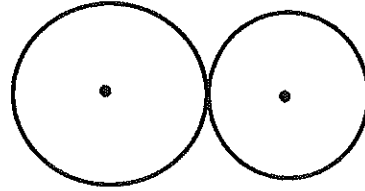
72

Find the distance between the centers of the two circles

Radii of the two circles are 14 cm and 18 cm



Diameters of the two circles are 12 cm and 17 cm



73

A family bought 2 and a quarter liter of milk each day. How much milk did they get in the month of

January

June

74

Find the width of a rectangle if

Perimeter = 50 cm

Length = 20 cm



Perimeter = 9.6 cm

Length = 3.7 cm



75

a)

*seventy thousand – twenty two thousand one hundred fifty five +
five hundred and seven tens =*

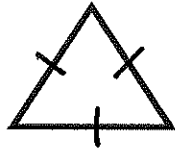
b)

*Nine thousand + eighty two thousand one hundred seventy –
five hundred and five ones =*

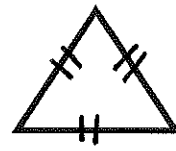
76 Write down all the 2 digit prime numbers

77 What is the perimeter of an equilateral triangle if its each side is

1.28 cm



1.09 cm



78 Fill in the blanks

a) The place value of 3 in 72.153 is = _____

b) The place value of 5 in 72.153 is = _____

c) The place value of 7 in 72.153 is = _____

d) 1 ton = _____ pounds

e) $\frac{14}{8} - \frac{2}{8} + \frac{3}{8} =$ _____

f) Two-thirds of 60 is _____

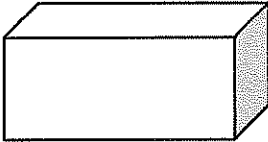
g) one foot = _____ inches

h) Three feet = _____ inches

Pg (24)

79	Convert into meters (Hint: 1 kilometer = 1000 meters)	
	3 kilometers	4.25 kilometers
	2.5 kilometers	7.85 kilometers

80	Name and draw the three different types of triangles based on the lengths of their sides	Name and draw any three different types of Quadrilaterals
	<hr/> <hr/> <hr/>	<hr/> <hr/> <hr/>

81	Prime Factorize: 90	Find the Volume of a box if l: length is 3cm w: width is 4cm h: height is 4cm
	<div style="border: 1px solid black; width: 100%; height: 20px;"></div>	 Volume = _____ cubic cm

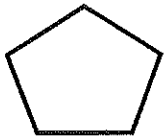
81 b	$1 + 2 + 3 + 4 + 5 + 6 + 7$ $= 11 + 22 + 33 + 44 + 55 + 66 + 77 - \boxed{?}$
	<div style="border: 1px solid black; width: 100%; height: 40px;"></div>

82	<p style="text-align: center;">Multiply</p> $\begin{array}{r} 2075 \\ * 83 \\ \hline \end{array}$ <div style="border: 1px solid black; height: 30px; width: 100%; margin-top: 20px;"></div>	<p style="text-align: center;">Multiply</p> $\begin{array}{r} 3,278 \\ * 53 \\ \hline \end{array}$ <div style="border: 1px solid black; height: 30px; width: 100%; margin-top: 20px;"></div>
----	---	--

83	<table style="width: 100%; border-collapse: collapse;"> <tr> <td style="width: 5%; text-align: center; vertical-align: middle;">a)</td> <td style="border: 1px solid black; padding: 5px;">$3.897 * 10 =$</td> </tr> <tr> <td style="text-align: center; vertical-align: middle;">b)</td> <td style="border: 1px solid black; padding: 5px;">$3.897 * 100 =$</td> </tr> <tr> <td style="text-align: center; vertical-align: middle;">c)</td> <td style="border: 1px solid black; padding: 5px;">$3.897 * 1000 =$</td> </tr> <tr> <td style="text-align: center; vertical-align: middle;">d)</td> <td style="border: 1px solid black; padding: 5px;">$356.7 * 10 =$</td> </tr> </table>	a)	$3.897 * 10 =$	b)	$3.897 * 100 =$	c)	$3.897 * 1000 =$	d)	$356.7 * 10 =$	<table style="width: 100%; border-collapse: collapse;"> <tr> <td style="width: 5%; text-align: center; vertical-align: middle;">e)</td> <td style="border: 1px solid black; padding: 5px;">$4252.2 \div 10 =$</td> </tr> <tr> <td style="text-align: center; vertical-align: middle;">f)</td> <td style="border: 1px solid black; padding: 5px;">$4252.2 \div 100 =$</td> </tr> <tr> <td style="text-align: center; vertical-align: middle;">g)</td> <td style="border: 1px solid black; padding: 5px;">$4252.2 \div 1000 =$</td> </tr> <tr> <td style="text-align: center; vertical-align: middle;">h)</td> <td style="border: 1px solid black; padding: 5px;">$4252.2 \div 10 =$</td> </tr> </table>	e)	$4252.2 \div 10 =$	f)	$4252.2 \div 100 =$	g)	$4252.2 \div 1000 =$	h)	$4252.2 \div 10 =$
a)	$3.897 * 10 =$																	
b)	$3.897 * 100 =$																	
c)	$3.897 * 1000 =$																	
d)	$356.7 * 10 =$																	
e)	$4252.2 \div 10 =$																	
f)	$4252.2 \div 100 =$																	
g)	$4252.2 \div 1000 =$																	
h)	$4252.2 \div 10 =$																	

84	<p>Draw stem and leaf graph for</p> <table style="width: 100%; border-collapse: collapse; text-align: center;"> <tr> <td style="border: 1px solid black; padding: 5px;">45</td> <td style="border: 1px solid black; padding: 5px;">43</td> <td style="border: 1px solid black; padding: 5px;">43</td> <td style="border: 1px solid black; padding: 5px;">52</td> <td style="border: 1px solid black; padding: 5px;">54</td> <td style="border: 1px solid black; padding: 5px;">65</td> <td style="border: 1px solid black; padding: 5px;">55</td> <td style="border: 1px solid black; padding: 5px;">56</td> <td style="border: 1px solid black; padding: 5px;">48</td> <td style="border: 1px solid black; padding: 5px;">58</td> <td style="border: 1px solid black; padding: 5px;">45</td> <td style="border: 1px solid black; padding: 5px;">50</td> </tr> </table> <table style="width: 100%; border-collapse: collapse;"> <thead> <tr> <th style="width: 25%; border: 1px solid black; padding: 5px;">Stem</th> <th style="border: 1px solid black; padding: 5px;">Leaf</th> </tr> </thead> <tbody> <tr> <td style="border: 1px solid black; height: 20px;"></td> <td style="border: 1px solid black;"></td> </tr> <tr> <td style="border: 1px solid black; height: 20px;"></td> <td style="border: 1px solid black;"></td> </tr> <tr> <td style="border: 1px solid black; height: 20px;"></td> <td style="border: 1px solid black;"></td> </tr> </tbody> </table>	45	43	43	52	54	65	55	56	48	58	45	50	Stem	Leaf						
45	43	43	52	54	65	55	56	48	58	45	50										
Stem	Leaf																				

85	<p>What probability?</p> <table style="width: 100%; border-collapse: collapse;"> <tr> <td style="width: 50%; border: 1px solid black; padding: 5px;"> A number is chosen at random from 30 to 50. What is the probability that it will be divisible by 4 </td> <td style="width: 5%;"></td> <td style="width: 50%; border: 1px solid black; padding: 5px;"> A number is chosen at random from 15 to 30. What is the probability that it will be a prime number? </td> <td style="width: 5%;"></td> </tr> </table>	A number is chosen at random from 30 to 50. What is the probability that it will be divisible by 4		A number is chosen at random from 15 to 30. What is the probability that it will be a prime number?	
A number is chosen at random from 30 to 50. What is the probability that it will be divisible by 4		A number is chosen at random from 15 to 30. What is the probability that it will be a prime number?			

86	<p>Find the perimeter of the Regular Pentagon if each side is 1.8 cm</p>  <input data-bbox="370 457 805 541" type="text"/>	<p>What are the next three numbers in the pattern:</p> <p>72, 36, 18, _____, _____, _____</p> <input data-bbox="873 447 1455 541" type="text"/>													
87	<p>What is the difference of the two missing terms of this sequence:</p> <table border="1" data-bbox="220 657 773 741"> <tr> <td>5</td> <td>6</td> <td>6</td> <td>7</td> <td>7</td> <td>7</td> <td></td> <td></td> </tr> </table> <input data-bbox="394 852 703 951" type="text"/>	5	6	6	7	7	7			<p>Andy is counting backwards by threes. The first number he says is 80. What is the sixth number Andy will say?</p> <input data-bbox="1084 842 1422 940" type="text"/>					
5	6	6	7	7	7										
88	<p><u>Complete the sequence</u></p> <p>a)</p> <table border="1" data-bbox="224 1041 1409 1192"> <tr> <td>18</td> <td>19</td> <td>21</td> <td>24</td> <td>28</td> <td></td> <td></td> </tr> </table> <p>b)</p> <table border="1" data-bbox="224 1230 1409 1350"> <tr> <td>900</td> <td>860</td> <td>820</td> <td>780</td> <td></td> <td></td> </tr> </table>		18	19	21	24	28			900	860	820	780		
18	19	21	24	28											
900	860	820	780												
89	<p>Wilson's mom gave him \$100 to buy his soccer supplies. He spent \$ 45.09 on soccer shoes, \$ 24.50 on a ball and \$ 16.75 on his clothes. How much money, in dollars, is left after his shopping?</p> <input data-bbox="800 1644 1377 1745" type="text"/>														

90

Solve

$12.177 * 0.4$

$39.08 - 16.198$

$14.098 + 2.78$

91

- a) The smallest counting number is _____
- b) 9 pints make _____ cups
- c) 10 pints make _____ cups
- d) Was the year 1990 a leap year? _____
- e) Will the year 2030 be a leap year? _____
- f) A triangle with no sides equal is called _____ Triangle.
- g) The smallest 4 digit number formed by using the digits 6, 9, 0, 2 only once is _____

92

What is the perimeter of a regular heptagon with side length of three and half centimeters?

Hint : Heptagon is a quadrilateral with Seven Sides

93

12, 10, 9, 2, 10, 5, 7, 10, 8, 12, 3

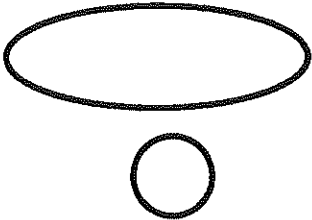
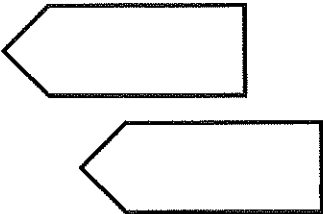
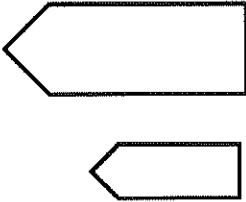
Range = _____

Median = _____

Mode = _____

94

State if congruent / similar

(a)	(b)	(c)
		
Congruent Yes / No Similar Yes / No	Congruent Yes / No Similar Yes / No	Congruent Yes / No Similar Yes / No

95

A grandmother distributed \$ 132 among Anna, Michael and Drew equally. How much money does each one get?

96

A grandmother distributed \$ 1000 among 5 children. How much money will each child get?

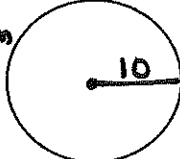
Pg (29)

97 What is the circumference of a circle of radius 10 cm?

*Circumference = π * diameter*

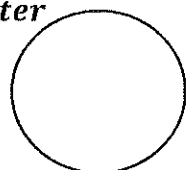
Diameter = 20 cm

= $\pi \times 20$



What is the circumference of a circle of radius 5 cm?

*Circumference = π * diameter*



98 If the space station is 54,300 miles from the earth, how long, in hours, would it take to get there if you travel at 300 miles per hour?

What is the units or ones place of 165 times 143

99 What are the missing numbers in the pattern:

2510, 2520, _____, _____, 2550

Write down the decimal equivalent to the given fraction

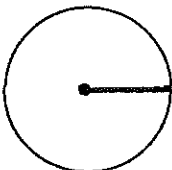
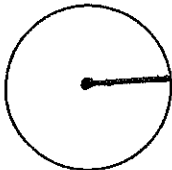
Fraction	Equivalent Decimal
$\frac{703}{10}$	
$\frac{58}{10}$	
$\frac{7}{10}$	

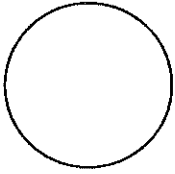
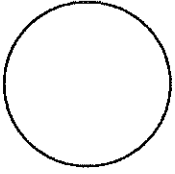
100 Maria has 6 boxes that each can hold 45 books. She has 10 shelves of books that she needs to pack in boxes. Each shelf holds 32 books. How many books will fit in 6 boxes? How many books will be left over?

101	Rahul has 19 quarters, 8 nickels and 22 dimes. How much money does he have in all in dollars? <input type="text"/>	Find the Diameter of a circle if Radius is	
		Radius	Diameter
		5.8 m	<input type="text"/>
		4.05 m	<input type="text"/>
		13.03 m	<input type="text"/>

102	Answer	
a)	$21 + 21 + 21 = 41 + 41 + 41 - \text{????}$	<input type="text"/>
b)	$11 + 22 - 33 + 44 = 1 + 2 - 3 + 4 + \text{????}$	<input type="text"/>
c)	$50 + 200 + 150 = \text{????} * 50$	<input type="text"/>

103	Which product is odd	Linda has 59 hair clips. She gave 11 of them to her sister Lina and then distributed the rest among 5 of her friends equally. What is the most number of hair clips each friend will get? <input type="text"/>
	a) 11×99	
	b) 44×33	
	c) 55×22	
	d) 88×66 <input type="text"/>	

104	If the radius of a circle is 45 cm, what is the diameter of the circle?  <input type="text"/>	If the radius of a circle is 16 cm, what is the diameter of the circle?  <input type="text"/>

105	If the diameter of a circle is 45 cm, what is the radius of the circle?  <div style="display: inline-block; width: 150px; height: 30px; border: 1px solid black; margin-left: 100px;"></div>	If the diameter of a circle is 16 cm, what is the radius of the circle?  <div style="display: inline-block; width: 150px; height: 30px; border: 1px solid black; margin-left: 100px;"></div>
------------	--	--

106	How many feet?	
	One yard =	2.5 yards =
	5 yards =	3.1 yards =

107	24 hours equals how many minutes? <div style="display: inline-block; width: 150px; height: 30px; border: 1px solid black; margin-left: 100px;"></div>	What is the value of $\frac{2}{5}$ of 40? <div style="display: inline-block; width: 150px; height: 30px; border: 1px solid black; margin-left: 100px;"></div>
------------	--	--

108	Express as mixed fractions <table border="1" style="width: 100%; border-collapse: collapse; margin-top: 10px;"> <tr> <td style="width: 5%; text-align: center; vertical-align: middle;">a)</td> <td style="width: 15%; text-align: center;">$\frac{16}{5}$</td> <td style="width: 80%;"></td> </tr> <tr> <td style="text-align: center; vertical-align: middle;">b)</td> <td style="text-align: center;">$\frac{19}{6}$</td> <td></td> </tr> <tr> <td style="text-align: center; vertical-align: middle;">c)</td> <td style="text-align: center;">$\frac{22}{10}$</td> <td></td> </tr> </table>	a)	$\frac{16}{5}$		b)	$\frac{19}{6}$		c)	$\frac{22}{10}$		You start at (3, 2) and go 5 spaces to the right and 2 spaces up. Which point do you reach? <div style="display: inline-block; width: 150px; height: 30px; border: 1px solid black; margin-left: 100px;"></div> You start at (0, 4) and go 5 space to the right and 2 spaces up. Which point do you reach? <div style="display: inline-block; width: 150px; height: 30px; border: 1px solid black; margin-left: 100px;"></div>
a)	$\frac{16}{5}$										
b)	$\frac{19}{6}$										
c)	$\frac{22}{10}$										

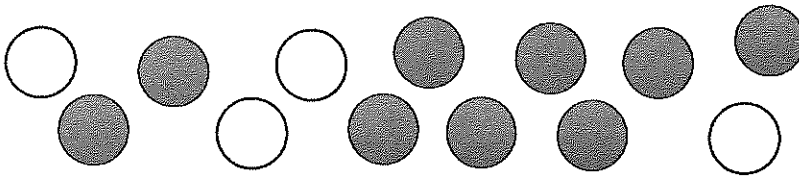
109

What is the value of $\frac{3}{4}$ of 18?

What is the ratio of the days in April 2016 to that in February 2017?

110

Which fraction tell you how many dots are shaded



111

What is the smallest three digit number divisible by both 5 and 3?

Ten years ago, Randy's age was 20 years. What will be his age 13 years from now?

112

What is the smallest three digit number divisible by both 2 and 3?

Amanda is three times as old as Anna now. What was Amanda's age 2 years ago if Anna is 13 years old now?

Amanda	Anna

113	Find the first two common multiples of 2 and 5	Find the first two common multiples of 4 and 3
	<input type="text"/>	<input type="text"/>
114	How many three digit numbers are there in all?	How many two digit numbers are there in all?
	<input type="text"/>	<input type="text"/>
115	What is the area of a square box with each side 30 cm?	What is the perimeter of a triangular chocolate box with each side 40.9 cm?
	<input type="text"/>	<input type="text"/>
116	Are the following numbers or words palindromes (YES / NO)?	
a)	DAD	<input type="text"/>
b)	RAIN	<input type="text"/>
c)	TOPPOT	<input type="text"/>
d)	VANE	<input type="text"/>
e)	239,099	<input type="text"/>
f)	43,543	<input type="text"/>
g)	43,534	<input type="text"/>
h)	101	<input type="text"/>

Pg (34)

(Use number line if necessary)

117	a) $7 - 6 =$		g) $-2 + 4 =$	
	b) $6 + 5 =$		h) $4 - 2 =$	
	c) $1 + 6 =$		i) $6 + 3 =$	
	d) $-8 + 6 =$		j) $9 + 2 =$	
	e) $-3 - 6 =$		k) $1 - 8 =$	
	f) $-3 + 1 =$		l) $6 - 9 =$	

118	A number is chosen at random from 1-30. What is the probability of selecting a number having a ten's place digit 4? <input type="text"/>	A number is chosen at random from 1-20. What is the probability of selecting a number less than 15? <input type="text"/>
-----	---	---

119	A number is chosen at random from 1-25. What is the probability of selecting a multiple of 5? <input type="text"/>	A number is chosen at random from 1- 20. What is the probability of selecting an even number? <input type="text"/>
-----	---	---

120	Anna is 9 years old. Her grandfather is 7 times Anna's age. How old is Anna's grandfather? <input type="text"/>
-----	--

121	<p>Tony's aunt is 36 years old. Tony is one-fourth her age. How old is Tony?</p>	<p>Compare $\frac{4}{5}$ to $\frac{7}{9}$? Which one is greater <i>why?</i></p>
122	<p>Solve: $36 + 8 \div 2 - 4$</p>	<p>200×11.3</p>
123	<p>Three friends want to be at the front of a line to buy a new game console at Superstore. How many different ways could the three friends line up in front of the store?</p>	
124	<p>What is the approximate cost of taking a 400 mile trip if you get 25 miles per gallon of gas and the gas costs \$1.60 per gallon?</p>	<p>What change will you get back if you purchase 7 bananas at \$0.15 each, two package of gum for \$0.75, and bottled water for \$1.10 if you gave the cashier \$10.</p>

125 What is the name that describes all four-sided figures that have opposite sides parallel?

If the perimeter of a rectangle is 16 units and the area is 16 sq. units, What could be the dimensions of the rectangle (in units)?

126 How many centimeters

Meters	Centimeters
13 m	
8 m	
9 m	
13.89 m	

A mile is 5,280 feet. How many inches are in a mile?

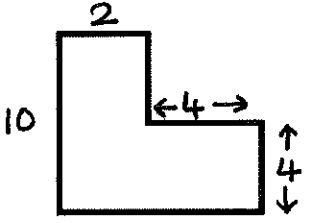
127 What is the volume of a rectangular prism with length 5 cm, width 4 cm and height 10 cm

128 Find the value for the expression:

$$\frac{32}{4} + (16 - 4) * 3 \div 6$$

How many meters

Kilometers	Meters
13 km	
8 km	
9 km	
110 km	

<p>129</p>	<p>A contest began at noon one day and ended 100 minutes later. At what time did the contest end?</p>	<p>How many numbers from 50 to 80 have a digit '7' in them?</p>
	<input type="text"/>	<input type="text"/>
<p>130</p>	<p>What is the perimeter of the shown polygon?</p> 	<p>A contest began at noon one day and ended 840 minutes later. At what time did the contest end?</p>
	<input type="text"/>	<input type="text"/>
<p>131</p>	<p>Jane needs 51 cents to buy a chocolate bar, while Steve needs 45 cents to buy it. Together they can buy one chocolate bar each with 2 cents remaining. How much money do they have?</p>	
	<input type="text"/>	
<p>132</p>	<p>Two different circles overlap. The area of the overlapping region is $\frac{1}{2}$ of the area of the smaller circle and is $\frac{1}{6}$ of the area of the larger circle. What is the ratio of the area of the smaller circle to the larger circle?</p>	
	<input type="text"/>	

C1

Solve: $71,321 + 14,389 - 7,082$

a)

C2

Solve: $65,721 + 27,119 - 35,637$

Solve: $119 * 11$

A library has 8,760 books. Out of these, 1,388 were damaged by termite and 2,099 were burnt in a fire. How many books remain at the library?

b)

Find the value of

$1 * 2 * 3 * 4 * 5 =$

$8 * 9 * 10 =$

$2 * 2 * 2 * 2 * 2 =$

$420 * 10 =$

$420 * 100 =$

$90 * 70 =$

$80 * 40 =$

c)

C1

Solve: $81,341 + 10,000 - 7,089$

C2

One fifth + One fifth makes	$\frac{2}{5}$
One tenth + two tenth makes	
Five seventh + two seventh	
Five ninth - two ninth	

Solve: $13,338 * 10$

a)

b)

One eleventh + five eleventh makes	$\frac{6}{11}$
ten eleventh - five eleventh makes	
Five seventh - three seventh	
Fifteen ninth - three ninth	

c)

- one meter = 100 centimeter
- 9 meters = _____ centimeters
 - 7 meters = _____ centimeters
 - 12 meters = _____ centimeters

$450 \times 10 =$

$450 \times 100 =$

$60 \times 70 =$

$80 \times 20 =$

Pg

40

1)	Multiply		
$\begin{array}{r} 42 \\ \times 22 \\ \hline \end{array}$	$\begin{array}{r} 31 \\ \times 20 \\ \hline \end{array}$	$\begin{array}{r} 63 \\ \times 14 \\ \hline \end{array}$	
2)	Multiply		
$\begin{array}{r} 84 \\ \times 23 \\ \hline \end{array}$	$\begin{array}{r} 62 \\ \times 13 \\ \hline \end{array}$	$\begin{array}{r} 49 \\ \times 40 \\ \hline \end{array}$	
3)	Solve		* means times
a)	$\begin{array}{r} (30 + 11) - (6 * 5) \\ \downarrow \quad \downarrow \\ 41 - 30 \end{array}$ <div style="border: 1px solid black; width: 100px; height: 30px; margin-left: 200px; text-align: center;">11</div>	$(30 - 11) - (6 + 5)$ <div style="border: 1px solid black; width: 100px; height: 30px; margin-left: 200px;"></div>	
b)	$(20 \div 5) + 3 + (2 * 5)$	$(40 \div 8) - 3 + (2 * 5)$	
c)	$(6 + 8) - 3 + (63 \div 7)$ <div style="border: 1px solid black; width: 100px; height: 30px; margin-left: 200px;"></div>	$(16 - 4) + 3 - (10 \div 2)$ <div style="border: 1px solid black; width: 100px; height: 30px; margin-left: 200px;"></div>	

4)	Divide						
$7 \overline{) 24}$		$6 \overline{) 45}$		$9 \overline{) 73}$			
Q = R =		Q = R =		Q = R =			
5)	Divide						
$2 \overline{) 80}$		$3 \overline{) 69}$		$4 \overline{) 74}$			
Q = R =		Q = R =		Q = R =			
6)	Multiply						
$\begin{array}{r} 343 \\ \times \quad 4 \\ \hline \end{array}$		$\begin{array}{r} 139 \\ \times \quad 9 \\ \hline \end{array}$		$\begin{array}{r} 743 \\ \times \quad 2 \\ \hline \end{array}$			
7)	$\begin{array}{r} 51 \\ \times 0 \\ \hline \end{array}$	$\begin{array}{r} 51 \\ \times 1 \\ \hline \end{array}$	$\begin{array}{r} 63 \\ + 12 \\ \hline \end{array}$	$\begin{array}{r} 63 \\ - 12 \\ \hline \end{array}$	$\begin{array}{r} 78 \\ \times 0 \\ \hline \end{array}$	$\begin{array}{r} 42 \\ \times 0 \\ \hline \end{array}$	
0							